

Wayne Dalton
GARAGE DOORS

M O D E L **8700**

SPECIALTY VINYL



Sonoma panel, Cape Cod Gray finish, Williamsburg I windows

strong. durable. stylish.

Model 8700 is engineered to be maintenance free and provides an elegant look that will last a lifetime.

These doors won't rust, fade, crack or dent. It is the ultimate door for easy-care living.



Colonial panel, Glacier White finish, Ruston windows

PERFORMANCE FEATURES

- This door has full PVC color construction. This means scratches are less visible because the color goes all the way through the material.
- The UV-Resin used in the door's construction contains special polymers that protect the door sections from the sun's harmful ultraviolet rays.
- Tamper-resistant safety bottom brackets help avoid possible injury by preventing inadvertent loosening while the counterbalance cables are still under tension.
- The Wayne Dalton TorqueMaster® Plus is our exclusive counterbalance system that safely and cleanly contains the springs inside a steel tube. TorqueMaster Plus® features anti-drop safety technology.

- Recommended for coastal regions for its resistance to salt air and sand.
- **High Cycle Spring Option**
Choose a 25,000 cycle spring for almost twice the life of a standard torsion spring.

Warranty

Wayne Dalton warrants this door for 15 years against peeling, flaking, chipping or cracking of the vinyl skin and 5 years against excessive color fading of the vinyl skin. See the warranty certificate for more details.

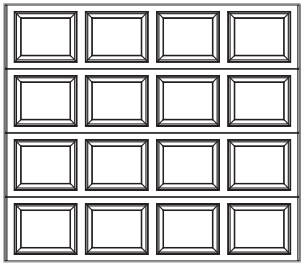


WindSafe™

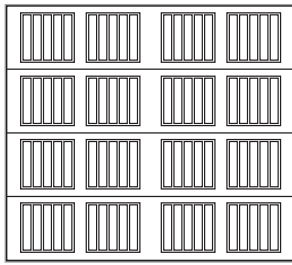
Wayne Dalton WindSafe™ doors have wind load-rated reinforcements to comply with various approval agencies, including Florida Building Code (FBC), Texas Department of Insurance (TDI) and Miami-Dade County (FL).



1 Choose Your Style



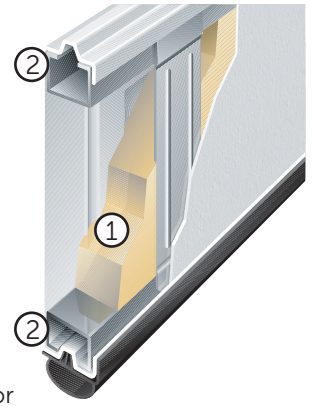
Colonial



Sonoma

① R-11.75* polyurethane insulation is permanently bonded to the vinyl skin for thermal efficiency, durability and added rigidity.

② Twin 20-gauge steel C-channels run full length of each panel and are anchored to interior steel stiles for strength.



*Wayne Dalton uses a calculated door section R-value for our insulated doors.

2 Choose Your Color



Glacier White



Adobe Cream



Monterey Sand



Cape Cod Gray

Actual door colors may vary slightly from the brochure due to fluctuations the printing process. Always request a color sample from your Wayne Dalton Dealer for accurate color matching.

3 Choose Your Windows

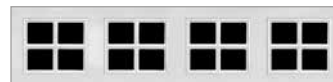
Designer Windows



Cathedral I



Ruston



Stockton I



Williamsburg I

Optional insulated glass available for improved thermal performance. Designer windows are available with clear glass only.

Etched Windows

Privacy glass



Diamond



Eclipse



Prairie

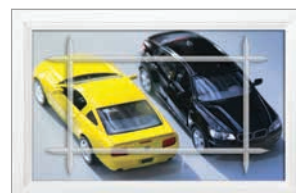
Clear glass



Diamond



Eclipse



Prairie

AFTER

BEFORE



Sonoma panel, Monterey Sand finish, Stockton I windows



Garage Door Design Center

To see this door on your home, visit wayne-dalton.com and try our Garage Door Design Center. Upload a photo of your home and experiment with panel designs, color options, window styles and decorative hardware designs. Instant curb appeal awaits you with just a click of your mouse.

Wayne Dalton
GARAGE DOORS

DISTRIBUTED BY:

2501 S. State Hwy. 121 Bus., Ste 200
Lewisville, TX 75067

wayne-dalton.com

